



ELECTRONIC PROGRAMMER

Simple and user friendly with an auto mode: automatic management of the ironing speed according to the selected temperature.

Digital speed and temperature display



EFFICIENCY

Acoustic comfort : <55 dB

Minimum space requirement: space saving, suitable for small spaces

Ideal for processing small quantity of flat linen in facilities like restaurants, guest rooms, hostels...



ROBUSTNESS

Nomex coating: resistant to high temperatures

Panels in grey skinplate and stainless steel

Wooden feeding table

New kinematics: better reliability

Industrial components, more durable



FEATURES

Large roll contact area with the linen

Mode of operation identical to a flatwork ironer: no roll lifting, more ergonomic

Models equipped with Nomex belts, suction and variable speed inverter: more productivity

Adjustable speed and temperature.



MAINTENANCE

Easy installation : requires only an electrical connection

Easy access on both sides for maintenance

Quick and easy dismantling of bearings



OTHERS

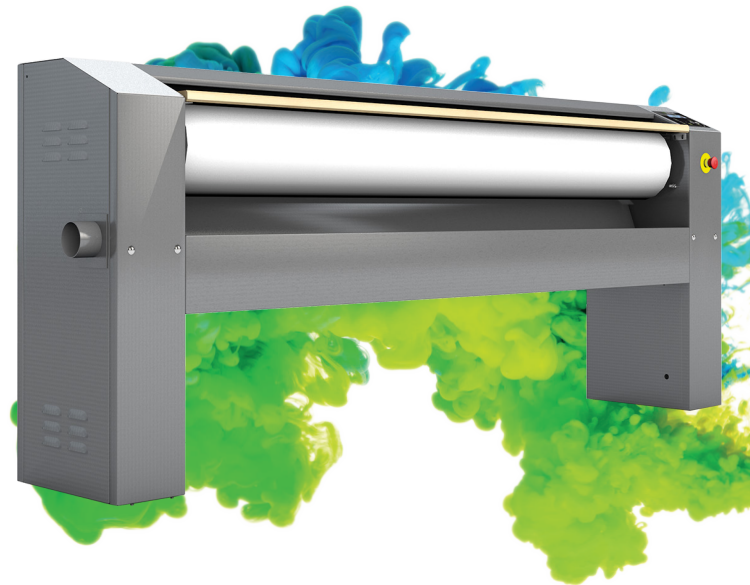
Front feeding and return

Roll ø 250 mm

Working widths: 1.400 and 2.000 mm

Electric heating

CE certification

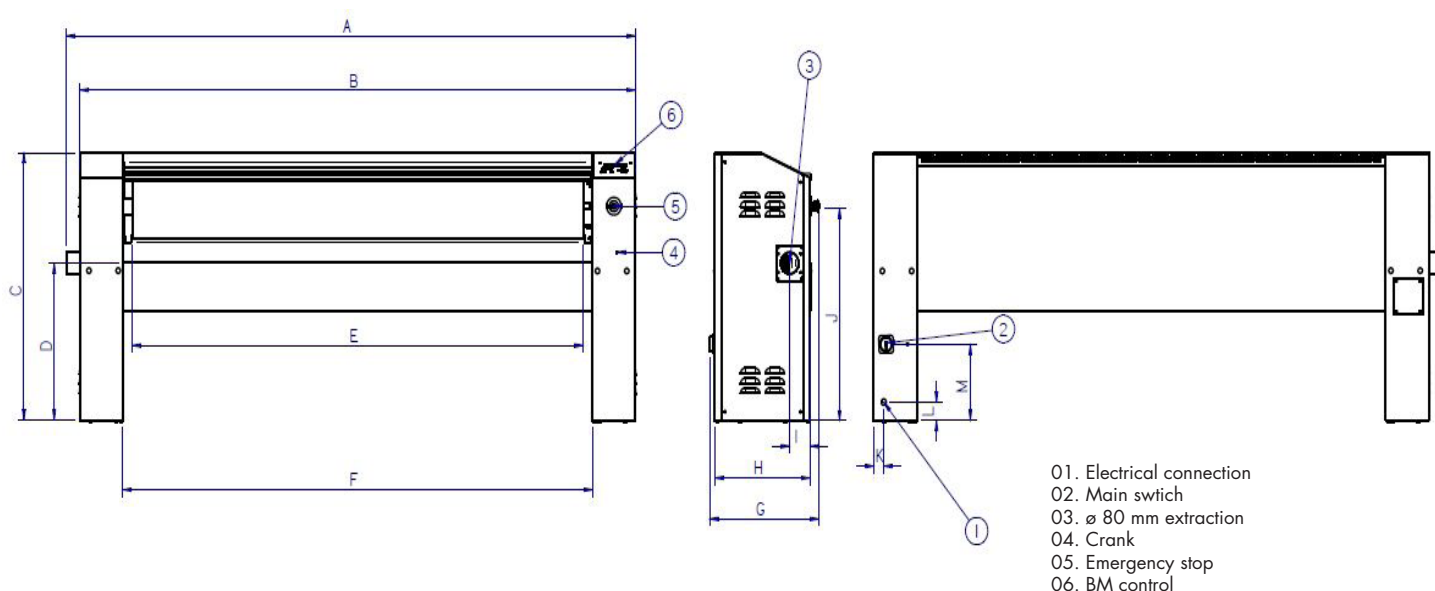


OPTIONS

- Tension 440V III 60 Hz without N (marine)
- 230V III+T 50-60 Hz

TECHNICAL DATA	UNIT.	PR-1425 ECO-ENERGY	PR-2025 ECO-ENERGY
GENERAL DATA			
Theoretical production*	Kg/h	40	50
Ø Roll	mm	250	250
Working width	mm	1.400	2.000
Ironing speed	mt/min	1,5 - 6	1,5 - 6
Electronic programmer	-	Yes	Yes
Bed lifting (manual by pedal)	-	None	None
POWER			
Heating power	Kw	7	12
Roll motor power	Kw	0,18	0,18
Fan motor power	Kw	0,12	0,12
Total electric power	Kw	7,3	12,3
CONNECTIONS		ELECTRIC	ELECTRIC
Tension 230V - I + N + T	N° x mm ² /A	4 x 6 / 20A	4 x 10 / 40A
Tension 400V - III + N + T	N° x mm ² /A	5 x 4 / 16A	5 x 4 / 20A
OVERALL DIMENSIONS/ PACKING DIMENSIONS			
Net width / Gross width	mm	1.923 / 1.890	2.523 / 2.490
Net depth / Gross depth	mm	484 / 540	484 / 540
Net height / Gross height	mm	985 / 1.130	985 / 1.130
Net weight / Gross weight	Kg	154 / 174	184 / 204
Net volume / Gross volume	m ³	0,92 / 1,15	1,20 / 1,52
OTHERS			
Noise Level	dB	60	60

*20-25% Theoretical production



	A	B	C	D	E	F	G	H	I	J	K	L	M
PR-1425 ECO-ENERGY	1.922	1.862	985	610	1.400	1.480	484	423	91	791	45	75	287
PR-2025 ECO-ENERGY	2.522	2.462	985	610	2.000	2.080	484	423	91	791	45	75	287