



TOUCH II

7" touch screen easy to use and fully programmable, double display
 Connection USB. Free software online for programming, telemetry, data analysis...
 Videos on display (instructions...)
 37 languages
 8 dosing signals as standard



OUTSTANDING FEATURES

Automatic positioning of drum with motor brake and UPS device (in case of power failure)
 3 water inlets, double drain
 Wet cleaning, telemetry standard
 G-FACTOR 325
 Heating: electric, steam, dual heating as option



EFFICIENCY

Intelligent consumption
 Optimal loading
 Water Recovery tanks ready: ECOTANK
 Low water consumption
 High G-FACTOR: reduced residual moisture > reduced drying time



CONNECTIVITY

IoT - Domus Connect
 Remote technical service
 Laundry management



ERGONOMICS

Huge door opening making loading/unloading easier
 Easy friendly drum opening by push button
 Loading height: door base 960 mm



MAINTENANCE

Electric components on the left side, mechanical components on the right side and connections on the top (protected from water and detergents)
 Technical menu: statistics, alarms, autotest, data recovery for technicians and maintenance



OTHERS

2 opposed doors. Pass-through barrier washer.
 Ready to be connected to dosing pumps
 Grey skinplate outer casing
 Drum and vat in stainless steel AISI 304
 Frequency inverter to control imbalance
 CE approved product



OPTIONS

- Relay card with 6 extra dosing signals: up to 14 signals
- Printer
- Dual heating (electric+steam)
- Titration valve
- End of cycle light alarm
- Detergent box with 4 compartments
- Stainless steel AISI 304 outer casing
- Stainless steel AISI 304 sanitary frame
- Other voltages

TECHNICAL DATA

UNIT.

ASA-100 TOUCH II

DRUM		
Capacity 1:9 / 1:10	Kg	100 / 90
Volume	l	900
Diameter	mm	1.050
Depth	mm	1.032
No of drum compartment	No	2
Pullman parition of drum		STD

GENERAL DETAILS		
Washing / spin speed	r.p.m.	45 / 750
G Factor	-	325
Dynamic force	KN	5,24
Dynamic force frequency	Hz	15,4
Sound level	dB	<70
Double drain	-	STD
Weighing system	-	N/A

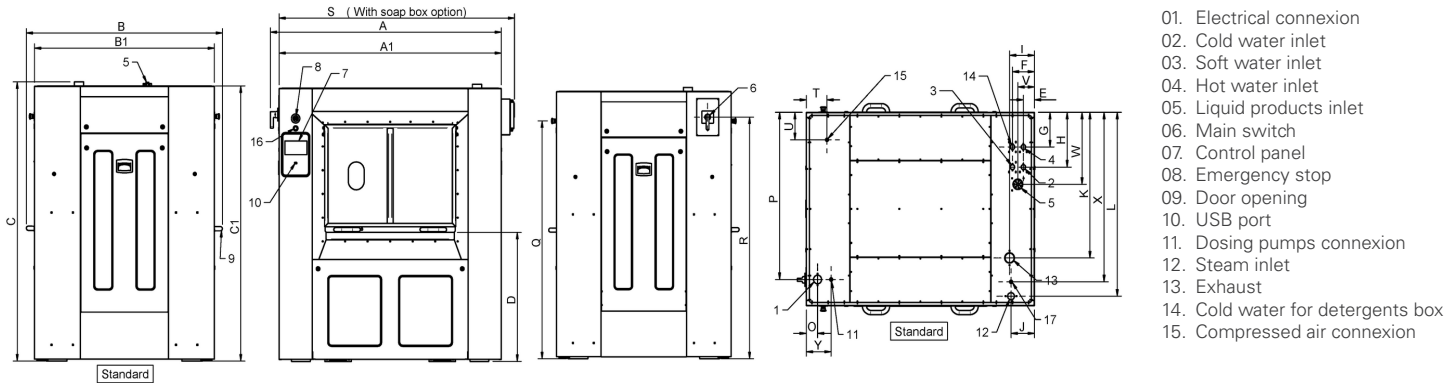
DRUM		
Height door bottom	mm	960
Drum opening dimensions	mm	900 x 500
Vat opening dimensions	mm	960 x 700

POWER		
Motor	kW	15
Electric heating	kW	60
Total electric power (elec mod)	kW	75
Total electric power (steam mod)	kW	15

CONNECTIONS		ELECTRIC / DUAL		STEAM
Tension 230V - I + N + T	Nº x mm2 / A	-	-	-
Tension 230V - III + T	Nº x mm2 / A	-	-	4 x 10 / 40A
Tension 400V - III + N + T	Nº x mm2 / A	5 x 25 / 120A		5 x 6 / 25A
steam inlet (steam mod)	Inch		3/4"	
Max. steam consumption (steam models)	Kg/h		34,2	
Water inlet	Inch		1"	
Water pressure	Kgs/cm ²		3-5	
Max. water consumption*	Lit/h		900	
Air inlet	mm		8	
Air consumption	NI/min		10	
Drain	Inch		2 x 3"	
Drain flow	Lit/min		2 x 160	

OVERALL DIMENSIONS / PACKING DIMENSIONS		
Net width / Gross width	mm	1.742 / 1.890
Net depth / Gross depth	mm	1.468 / 1.540
Net height / Gross height	mm	1.982 / 2.150
Net weight / Gross weight	kg	1.900 / 1.958
Volume	m3	5,06 / 6,26

* N°2 Program, 100% load



	A	B	C	A1	B1	C1	D	E	F	G	H	I	J	K	L	O	P	Q	R	S	T	U	V	W	X	Y
ASA-100	1742	1468	1982	1677	1346	1954	921	82	162	262	382	183	172	1013	1279	83	1163	1737	1765	1777	150	192	122	502	1179	183