



TOUCH II

7" touch screen easy to use and fully programmable, display on dirty side
 Connection USB. Free software online for programming, telemetry, data analysis...
 Videos on display (instructions...)
 37 languages
 8 dosing signals as standard



OUTSTANDING FEATURES

Automatic positioning of drum
 2 water inlets
 WET CLEANING, telemetry as standard
 Dual heating (electric - steam) model available
 G FACTOR 350



EFFICIENCY

Intelligent consumption
 Optimal loading
 Water Recovery tanks ready: ECOTANK
 Low water consumption
 High G-FACTOR: reduced residual moisture > reduced drying time



CONNECTIVITY

IoT - Domus Connect
 Remote technical service
 Laundry management



ERGONOMICS

Huge door opening making loading/unloading easier
 Easy friendly drum opening by push button
 Loading height: door base 670 mm



MAINTENANCE

Electric components on the left side, mechanical components on the right side and connections on the top (protected from water and detergents)
 Central drain as standard
 Technical menu: statistics, alarms, autotest, data recovery for technicians and maintenance



OTHERS

2 opposed doors. Pass-through barrier washer.
 Ready to be connected to dosing pumps
 Grey skinplate outer casing
 Drum and vat in stainless steel AISI 304
 Frequency inverter to control imbalance
 Electric, steam or dual heating
 CE approved product

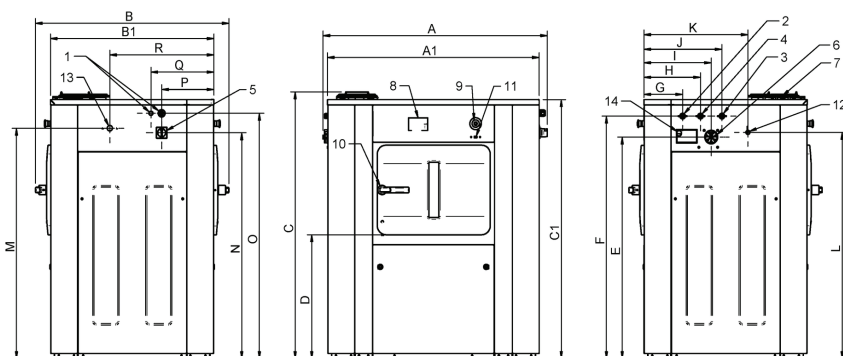


OPTIONS

- 1-door opening (single side operation)
- 7" second screen on clean side
- Auto Weight: automatic weighing sensor system on feet (Includes kit with 6 extra dosing signals)
- Relay card with 6 extra dosing signals: up to 14 signals
- Printer
- Third water inlet
- Double drain
- Titration valve
- Side drain valve
- Low steam pressure (0,5 bar)
- Detergent box with 4 compartments
- Electric drum motor brake
- UPS Option (in case of power failure)
- End of cycle light alarm
- Plinth to align loading height (door base at 850mm)
- Stainless steel AISI 304 outer casing
- Stainless steel AISI 304 sanitary frame
- Other voltages

TECHNICAL DATA	UNIT.	ASM-16 TOUCH II	ASM-22 TOUCH II		
DRUM					
Capacity 1:9 / 1:10	Kg	18 / 16	24 / 22		
Volume	l	158	220		
Diameter	mm	633	633		
Depth	mm	500	700		
No of drum compartment	No	1	1		
Pullman partition of drum		N/A	N/A		
GENERAL DETAILS					
Washing / spin speed	r.p.m.	45 / 1000	45 / 1000		
G Factor	-	350	350		
Dynamic force	KN	5,5 ±1,12	6,25 ±1,54		
Dynamic force frequency	Hz	15,4	15,4		
Sound level	dB	<70	<70		
Double drain	-	OPT	OPT		
Weighing system	-	OPT	OPT		
DRUM					
Height door bottom	mm	670	670		
Drum opening dimensions	mm	400 x 315	400 x 315		
Vat opening dimensions	mm	455 x 415	455 x 415		
POWER					
Motor	kW	2,2	2,2		
Electric heating	kW	12	18		
Total electric power (elec mod)	kW	14,2	20,2		
Total electric power (steam mod)	kW	2,2	2,2		
CONNECTIONS					
		ELECTRIC / DUAL	STEAM	ELECTRIC / DUAL	STEAM
Tension 230V - I + N + T	Nº x mm2 / A	-	3 x 1,5 / 6A	-	3 x 1,5 / 6A
Tension 230V - III + T	Nº x mm2 / A	4 x 10 / 40A	-	4 x 10 / 50A	-
Tension 400V - III + N + T	Nº x mm2 / A	5 x 6 / 25A	-	5 x 6 / 32A	-
steam inlet (steam mod)	Inch	3/4"		3/4"	
Max. steam consumption	Kg/h	9		12	
Water inlet	Inch	3/4"		3/4"	
Water pressure	Kgs/cm ²	3-5		3-5	
Max. water consumption*	Lit/h	144		198	
Drain	Inch	3"		3"	
Drain flow	Lit/min	160		160	
OVERALL DIMENSIONS / PACKING DIMENSIONS					
Net width / Gross width	mm	1.056 / 1.072		1.245 / 1.262	
Net depth / Gross depth	mm	1.071 / 1.102		1.071 / 1.102	
Net height / Gross height	mm	1.417 / 1.530		1.417 / 1.530	
Net weight / Gross weight	kg	438 / 459		471 / 494	
Volume	m ³	1,60 / 1,81		1,88 / 2,13	

* N°2 Program, 100% load



01. Electrical connexion
02. Hot water
03. Cold water
04. Soft water
05. Main switch
06. Liquid products inlet
07. Detergent box (option)
08. Control panel
09. Emergency stop
10. Door opening
11. USB port
12. Dosing pumps connexion
13. Steam inlet
14. Exhaust

	A	B	C	A1	B1	C1	D	E	F	G	H	I	J	K	L	M	N	O	P	Q	R
ASM-16	1.054	1.082	1.426	984	914	1.385	661	1.184	1.296	217	317	377	437	582	1.209	1.231	1.207	1.311	292	352	582
ASM-22	1.254	1.082	1.426	1.184	914	1.385	661	1.184	1.296	217	317	377	437	582	1.209	1.231	1.207	1.311	292	352	582