

**M PROGRAMMER**  
New M programmer: push buttons to control temperature and time

**OUTSTANDING FEATURES**  
Reversing drum action as standard  
Stainless steel drum as standard  
Frequency inverter as standard

**EFFICIENCY**  
DOUBLE FLOW - mixed axial-radial airflow  
Big fluff filter

**VERSATILITY**  
Make to order - customisation  
OPL > Multivending - Standard OPL model easily transformable to coin laundry uses

**ERGONOMICS**  
Drawer as fluff filter, stainless steel mesh  
Biggest door diameters  
Opening sense of door adjustable on site

**MAINTENANCE**  
Hinged control panel: easy and ergonomic access  
Technical menu: statistics for technicians and maintenance with external console (with console option)  
Easy to access to components

**OTHERS**  
Grey skinplate outer casing, stainless steel look  
SOFT DRY - new drum with stamped holes  
COOL DOWN - anti-wrinkle at the end of the cycle  
Heating options: electric, gas and steam  
CE approved



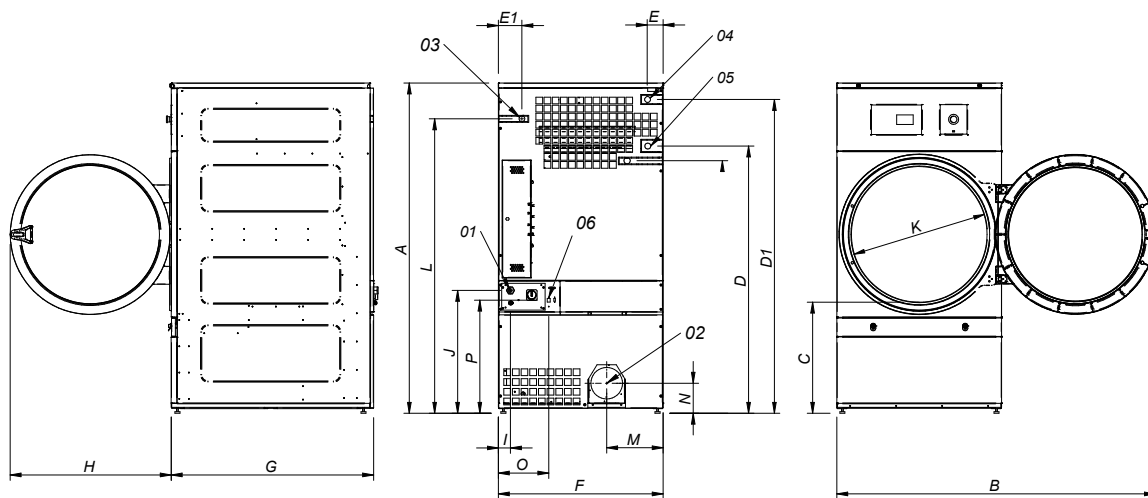
## OPTIONS

- M programmer display



- Double doorglass
- Opposite door opening
- Back panel external air + filter
- Fluff filter with grid 0,6mm (standard is 0,3mm)
- Fluff filter with grid 1,2mm (standard is 0,3mm)
- Stainless steel front and side panels
- Front panel in stainless steel
- Steam battery in stainless steel
- Low pressure steam battery
- Maritime wooden packing
- Ship voltage for electric models: 440V III 50/60 Hz No neutral
- Other voltages available

TECHNICAL DATA	UNIT.	DTM-28		DTM-35	
<b>CAPACITY</b>					
Capacity 1/18 // Capacity 1/20	Kg	30,5 // 27,5		36,6 // 33	
Hourly Output (electr. // gas)	Kg/h	48,4 // 59,3		60 // 63,9	
Evaporation capacity (electr. // gas)	l/h	26,1 // 30,9		31,1 // 32,1	
<b>DRUM</b>					
Ø Drum	mm	947		947	
Ø Door	mm	802		802	
Door center height	mm	1040		1040	
Load hole bottom height	mm	640		640	
Drum length	mm	780		936	
Drum volume	l	549		659	
<b>POWER</b>					
Drum motor power	kW	0,55		0,55	
Fan motor power	kW	0,55		0,55	
Electric heating power	kW	30		36	
Total electric power (elec.model)	kW	31,15		37,15	
Gas heating power	kW	41		41	
Instant propane gas consumption (G31)	kg/h	3,51		3,51	
Instant natural gas consumption (G20)	m3/h	4,34		4,34	
Total electric power (gas model)	kW	1,15		1,15	
Steam heating power	kW	50,1		50,1	
Total electric power (steam model)	kW	1,15		1,15	
<b>CONNECTIONS</b>					
		<b>ELECTRICAL</b>		<b>GAS/STEAM</b>	
Tension 230V - I + N + T	Nº x mm2 / A	-		3 x 1,5 / 20A	
Tension 230V - III + T	Nº x mm2 / A	4 x 35 / 100A		3 x 1,5 / 20A	
Tension 400V - III + N + T	Nº x mm2 / A	5 x 16 / 63A		5 x 16 / 63A	
Ø Gas inlet	BSP	1/2"		1/2"	
<b>DIMENSIONS / PACKING DIMENSIONS</b>					
Net width / Gross width	mm	985 / 1065		985 / 1065	
Net Depth / Gross Depth	mm	1054 / 1154		1210 / 1310	
Net Height / Gross Height	mm	1975 / 2080		1975 / 2080	
Net weight / Gross weight	Kg	230 / 260		260 / 285	
<b>OTHERS</b>					
Max airflow	m3/h	1200		1.200	
Ø Fume exhaust	mm	200		200	
Sound level	dB	65		65	



	A	B	C	D	D1	E	E1	F	G	H	I	J	K	L	M	N	O	P
DTM-28	1975*	1910	660	1590	1875	102	130	985	1054	970	70	730	802	1760	337	178	301	676
DTM-35	1975*	1910	660	1590	1875	102	130	985	1210	970	70	730	802	1760	337	178	301	676

\* Measurement with legs mounted (30mm)