



## TOUCH II

User friendly and totally programmable 7" Touch II USB Connection. Online platform free of charge for programming, telemetry, data analysis...thanks to the IoT  
Videos on display (ads, instructions, etc.)  
37 languages



## OUTSTANDING FEATURES

Reversing drum action as standard  
Stainless steel drum as standard  
Frequency inverter as standard



## EFFICIENCY

DOUBLE FLOW - mixed axial-radial airflow  
Big fluff filter



## VERSATILITY

Make to order - customisation  
WET CLEANING



## CONNECTIVITY

Standard IoT Domus Connect



## ERGONOMICS

Drawer as fluff filter, stainless steel mesh  
Biggest door diameters  
Opening sense of door adjustable on site



## MAINTENANCE

Hinged control panel: easy and ergonomic access  
Technical menu: statistics for technicians and maintenance with external console (with console option)



## OTHERS

Steam battery in stainless steel (up to 15 bar pressure)  
Grey skinplate outer casing, stainless steel look  
SOFT DRY - new drum with stamped holes  
COOL DOWN - anti-wrinkle at the end of the cycle  
Heating options: electric, gas and steam  
CE approved

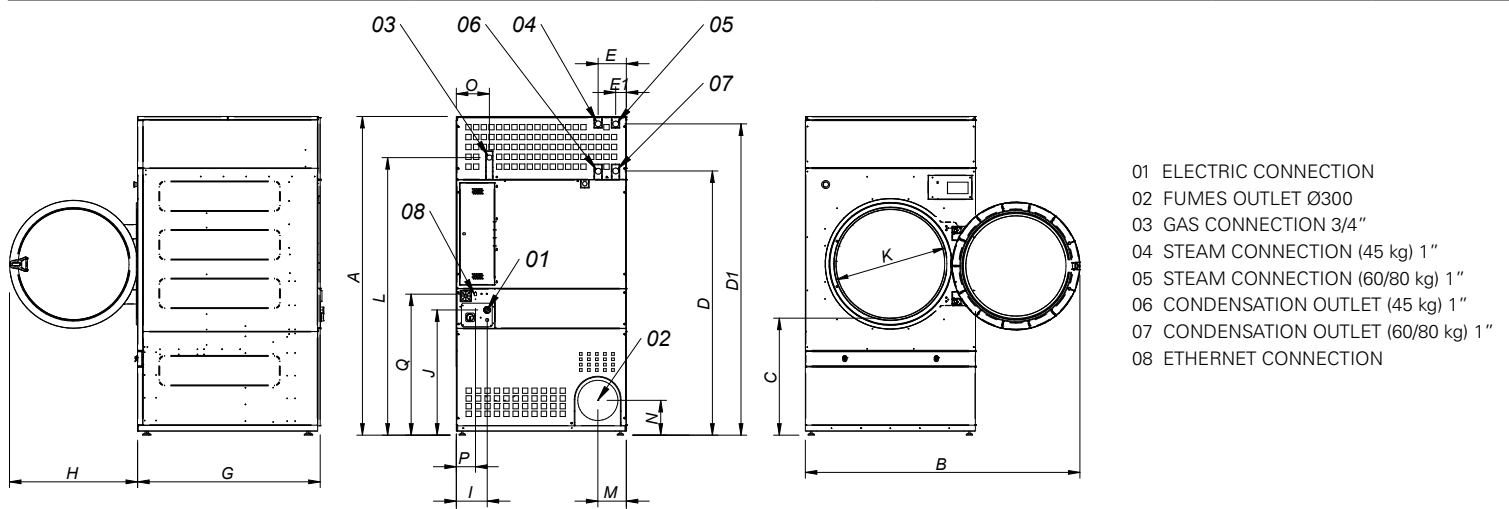


Automatic sliding door

## OPTIONS

- EFFICIENT DRY - Humidity sensor
- **NEW** Automatic or manual sliding door
- **NEW** Tiltting front kit
- Double doorglass
- SFEX - Fire Extinguishing System
- Opposite door opening
- Tropicalized model
- Dosing/spraying system
- Back panel external air + filter
- Fluff filter with grid 0,6mm (standard is 0,3mm)
- Fluff filter with grid 1,2mm (standard is 0,3mm)
- Stainless steel front and side panels
- Front panel in stainless steel
- Low pressure steam battery
- Maritime wooden packing
- Ship voltage for electric models:  
440V III 50/60 Hz No neutral
- Other voltages available

TECHNICAL DATA		DTT-45		DTT-60		DTT-80	
<b>CAPACITY</b>							
Capacity 1/18 // Capacity 1/20	Kg	49,8 // 44,8		66,8 // 60,1		83,3 // 75,0	
Hourly Output (electr. // gas)	Kg/h	80,4 // 84,4		120 // 128,6		128,6 // 173,1	
Evaporation capacity (electr. // gas)	l/h	40,2 // 42,5		60,2 // 65,8		64 // 86,5	
<b>DRUM</b>							
Ø Drum	mm	1225		1225		1225	
Ø Door	mm	802		802		802	
Door center height	mm	1275		1275		1275	
Load hole bottom height	mm	874		874		874	
Drum length	mm	760		1020		1252	
Drum volume	l	896		1202		1500	
<b>POWER</b>							
Drum motor power	kW	0,75		1,1		1,5	
Fan motor power	kW	1,1		1,1		1,1	
Electric heating power	kW	54		72		72	
Total electric power (elec.model)	kW	55,9		74,25		74,65	
Gas heating power	kW	60		90		120	
Instant propane gas consumption (G31)	kg/h	5,14		7,71		10,28	
Instant natural gas consumption (G20)	m3/h	6,35		9,53		12,71	
Total electric power (gas model)	kW	1,9		2,25		2,65	
Steam heating power	kW	91,3		128		128	
Total electric power (steam model)	kW	1,9		2,25		2,65	
<b>CONNECTIONS</b>							
Tension 230V - I + N + T	Nº x mm2 / A	-	-	-	-	-	-
Tension 230V - III + T	Nº x mm2 / A	-	4 x 2,5 / 20A	-	4 x 2,5 / 32A	-	4 x 2,5 / 32A
Tension 400V - III + N + T	Nº x mm2 / A	5 x 35 / 100A	5 x 1,5 / 20A	5 x 50 / 125A	5 x 1,5 / 32A	5 x 50 / 125A	5 x 1,5 / 32A
Ø Gas inlet	BSP	3/4"		3/4"		3/4"	
<b>OTHERS</b>							
Net width / Gross width	mm	1.270/1.330		1.270/1.330		1.270/1.330	
Net Depth / Gross Depth	mm	1.106/1.185		1.366/1.445		1.598/1.705	
Net Height / Gross Height	mm	2.380/2.150		2.380/2.150		2.380/2.150	
Height without heating	mm	1950		1950		1950	
Net weight / Gross weight	Kg	395/430		529/575		657/715	
<b>OTHERS</b>							
Max airflow	m3/h	3.000		3.000		3.000	
Ø Fume exhaust	mm	300		300		300	
Sound level	dB	67		67		67	



	A	B	C	D	D1	E	E1	F	G	H	I	J	K	L	M	N	O	P	Q
DTT-45	2380*	2045	874	1981	2311	211	80	1270	1106	956	248	935	802	2088	214	240	244	160	1053
DTT-60	2380*	2045	874	1981	2311	211	80	1270	1366	956	248	935	802	2088	214	240	244	160	1053
DTT-80	2380*	2045	874	1981	2311	211	80	1270	1598	956	248	935	802	2088	214	240	244	160	1053

\* Measurement with legs mounted (30mm)