



TOUCH II

User friendly and totally programmable 7" Touch II USB Connection. Online platform free of charge for programming, telemetry, data analysis...thanks to the IoT
Videos on display (ads, instructions, etc.)
37 languages



OUTSTANDING FEATURES

Reversing drum action as standard
Stainless steel drum as standard
Frequency inverter as standard.



EFFICIENCY

DOUBLE FLOW - mixed axial-radial airflow
Big fluff filter



VERSATILITY

Make to order - customisation
WET CLEANING
OPL > Multivending - Standard OPL model easily trasformable to coin laundry uses



CONNECTIVITY

IoT-Domus Connect Standard
Management of laundries: OPL and COIN
Remote payment (coin-laundry)



ERGONOMICS

Drawer as fluff filter, stainless steel mesh
Biggest door diameters



MAINTENANCE

Hinged control panel: easy and ergonomic access
Technical menu: statistics for technicians and maintenance with external console (with console option)



OTHERS

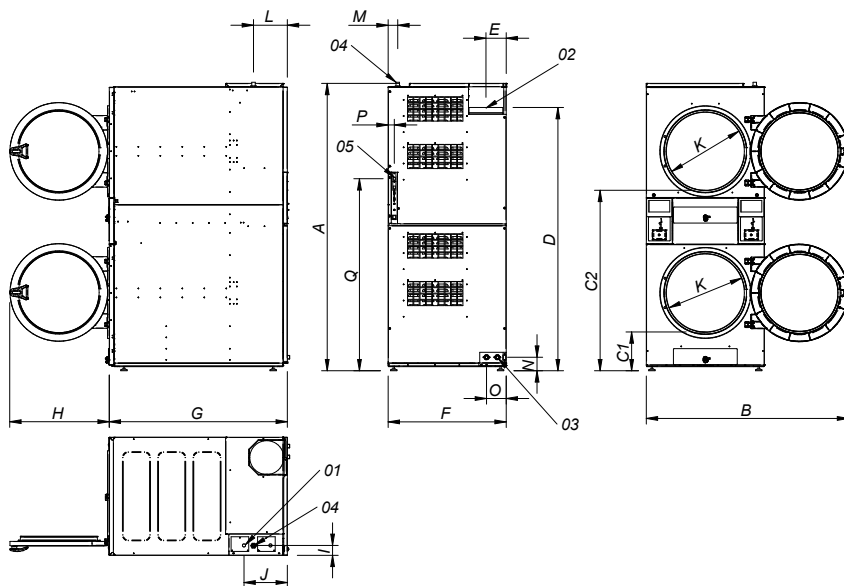
Grey skinplate outer casing, stainless steel look
SOFT DRY - new drum with stamped holes
COOL DOWN - anti-wrinkle at the end of the cycle
Heating options: electric, gas
CE approved



OPTIONS

- EFFICIENT DRY - Intelligent humidity control. Temperature probe at drum inlet.
- Double door glass
- SFEX - Integrated Fire Extinguishing System
- Tropicalized model
- Opposite door opening
- Dosing-spraying
- Back panel external air + filter
- Fluff filter with grid 0,3 mm (standard in STACK is 0,6mm)
- Stainless steel front and side panels
- Frontal panel in stainless steel
- Maritime wooden packing
- Ship voltage for electric models: 440V III 50/60 Hz No neutral
- Other voltages available

TECHNICAL DATA	UNIT.	DTT2-22
CAPACITY		
Capacity 1/18	Kg	48
Capacity 1/20	Kg	44
Hourly Output (gas)	Kg/h	88
Evaporation capacity (gas)	l/h	44
DRUM		
Ø Drum	mm	835
Ø Door	mm	574
Door center height	mm	547 / 1.618
Load hole bottom height	mm	272 / 1.322
Drum length	mm	800
Drum volume	l	438
POWER		
Drum motor power	kW	0,37 x 2
Fan motor power	kW	0,55 x 2
Electric heating power	kW	-
Total electric power (elec.model)	kW	-
Gas heating power	kW	30,4 x 2
Instant propane gas consumption (G31)	kg/h	1,03 x 2
Instant natural gas consumption (G20)	m3/h	1,27 x 2
Total electric power (gas model)	kW	1,94
CONNECTIONS		
		GAS
Tension 230V - I + N + T	Nº x mm2 / A	3 x 1,5 / 20A
Tension 230V - III + T	Nº x mm2 / A	-
Tension 400V - III + N + T	Nº x mm2 / A	-
Ø Gas inlet	BSP	3/4"
DIMENSIONS / PACKING DIMENSIONS		
Net width / Gross width	mm	870 / 950
Net Depth / Gross Depth	mm	1.328 / 1.411
Net Height / Gross Height	mm	2.117 / 2.250
Net weight / Gross weight	Kg	374 / 394
OTHERS		
Max airflow	m3/h	900 x 2
Ø Fume exhaust	mm	250
Sound level	dB	69



- 01 ELECTRIC CONNECTION
- 02 FUMES OUTLET Ø250
- 03 2 SPRINKLER VALVES 3/4"
- 04 GAS INLET 3/4
- 05 ETHERNET CONNECTION (only available CONTROL TOUCH II models)

	A	B	C1	C2	D	E	F	G	H	I	J	K	L	M	N	O	P	Q
DTT2-22	2118*	1490	286	1330	1940	149	870	1312	735	73	320	575	250	70	100	145	45	1416

* Measurement with legs mounted (30mm)