



TOUCH II

User friendly and totally programmable 7" USB Connection. Online platform free of charge for programming, telemetry, data analysis...thanks to the IoT
Videos on display (ads, instructions, etc.)
37 languages
8 dosing signals as standard



VERSATILITY

OPL <> COIN
Standard models can be programmed as OPL or coin laundry version, central pay, etc.
SINGLE <> STACKED
Models can be stacked on top of a washer or on another dryer. Control panels can be assembled between both drums for better ergonomics.
Ideal for multiple solutions: hotels, hostels, campings, coin laundries, facility services (mops), gyms, etc.
Wet cleaning features



OUTSTANDING FEATURES

Reduced drying times (less than 45 minutes)
6,75 kw heating, option 4,5 kw



CONNECTIVITY

IoT - Domus Connect standard.
Management of laundries: OPL and COIN
Remote payment



EFFICIENCY

Optimised airflow
Wide fluff filter as drawer
Efficient design



ROBUSTNESS

Outer casing in grey skinplate
Robust aluminium big door
Industrial fan and powerful airflow
Sturdy construction of the dryer structure and panels



OTHERS

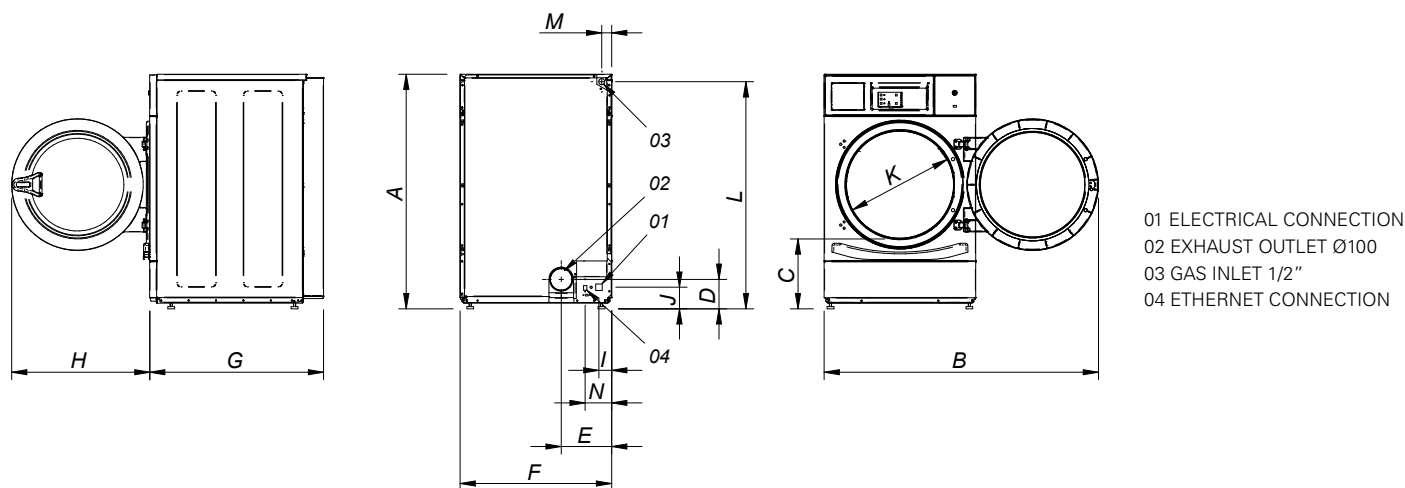
Gas or electric heated models
CE approved product



OPTIONS

- Efficient dry: humidity sensor
- Stainless steel outer casing
- AISI 304 stainless steel drum
- Reversing door opening
- Tropicalized model: protected board
- Plinth for better ergonomics
- Plinth for better ergonomics in stainless steel
- Control panel mounted below (stacked dryer)
- Order in complete container + compact packing
- Maritime voltage 440V III 50/60 Hz No neutral
- Coin/token kit

| TECHNICAL DATA | UNID. | HPD-8 | | HPD-10 | |
|--|------------|---------------|---------------|---------------|---------------|
| CAPACITY & DRUM | | | | | |
| Capacity 1:20 | Kg | 8 | | 10 | |
| Volume (litres) | l | 160 | | 200 | |
| Drum diameter Ø | mm | 590 | | 590 | |
| Drum depth | mm | 585 | | 690 | |
| DOOR | | | | | |
| Height center door | mm | 554 | | 554 | |
| Height base door | mm | 320 | | 320 | |
| Door diameter | mm | 480 | | 480 | |
| GENERAL DETAILS | | | | | |
| Microprocessor touch screen 4,3" | - | ✓ | | ✓ | |
| USB connection | - | ✓ | | ✓ | |
| Construction Panels | - | Skinplate | | Skinplate | |
| Plinth OPT | - | OPT | | OPT | |
| Coin laundry version | - | ✓ | | ✓ | |
| Noise level | dB | 62 | | 62 | |
| POWER | | | | | |
| Motor / Fan | kW | 0,37 | | 0,37 | |
| Electric heating | kW | 4,5 / 6,75 | | 4,5 / 6,75 | |
| Gas heating | kW | 6,7 | | 6,7 | |
| CONNECTIONS | | | | | |
| | | ELECTRIC | GAS / STEAM | ELECTRIC | GAS / STEAM |
| Tension 230V I+N+T 50Hz / 60Hz | Nº x mm2/A | 3 x 10 / 40A | 3 x 1,5 / 10A | 3 x 10 / 40A | 3 x 1,5 / 10A |
| Tension 230V III+T 50Hz // 60Hz | Nº x mm2/A | 4 x 4 / 25A | 3 x 1,5 / 10A | 4 x 4 / 25A | 3 x 1,5 / 10A |
| Tension 400V III+N+T 50Hz // 60Hz | Nº x mm2/A | 5 x 2,5 / 16A | 3 x 1,5 / 10A | 5 x 2,5 / 16A | 3 x 1,5 / 10A |
| Fume exhaust Ø | mm | 100 | | 100 | |
| Maximum airflow | m³/hour | 300 | | 300 | |
| CONSUMPTIONS | | | | | |
| Electric heating consumption | kW | 6,75 / 4,5 | | 6,75 / 4,5 | |
| Instant propane gas consumption (G31) | kg/h | 0,57 | | 0,57 | |
| Instant natural gas consumption (G20) | m³/h | 0,71 | | 0,71 | |
| DIMENSIONS / PACKING DIMENSIONS | | | | | |
| Net width / Gross width | mm | 680 / 710 | | 680 / 710 | |
| Net Depth / Gross Depth | mm | 722 / 832 | | 775 / 832 | |
| Net Height / Gross Height | mm | 1056 / 1141 | | 1056 / 1141 | |
| Net weight / Gross weight | kg | 89 / 101 | | 93 / 104 | |
| Volume | m³ | 0,67 | | 0,67 | |



| | A | B | C | D | E | F | G | H | I | J | K | L | M | N |
|--------|------|------|-----|-----|-----|-----|-----|-----|----|----|-----|------|----|-----|
| HPD-8 | 1056 | 1227 | 320 | 140 | 226 | 680 | 722 | 615 | 57 | 91 | 480 | 1015 | 50 | 118 |
| HPD-10 | 1056 | 1227 | 320 | 140 | 226 | 680 | 775 | 615 | 57 | 91 | 480 | 1015 | 50 | 118 |