



VERSATILITY

OPL < > COIN
ELECTRIC < > HOT WATER
PUMP < > DRAIN VALVE
SINGLE < > STACKED
USB Connection. Online platform free of charge for programming, telemetry, data analysis...thanks to the IoT
Wet cleaning features ready
Suitable for many sectors: restaurants, gyms, campings, mop cleaning, apartments, coin laundries, dry cleaners, nurseries...



OUTSTANDING FEATURES

High G FACTOR of 450.
User-friendly and totally programmable **Touch II** microprocessor with a 4,3" touch screen 8 dosing signals as standard. 2 water inlets
Wet cleaning standard with the **Touch II**
Short washing cycles (Heating Power 6 kW)



CONNECTIVITY

IoT - Domus Connect standard.
Management of laundries: OPL and COIN
Remote payment



EFFICIENCY

Water saving: automatic adjustment of water and chemicals
Optimal Loading: manual indication of the loading weight



ROBUSTNESS

Outer casing in grey skinplate
Robust aluminium door
AISI-304 stainless steel inner/outer drum and ribs
No inner drum seal (muffle), easy to repair/clean
Industrial house bearing and bearings (Up to 20,000 working hours) and possibility to replace bearings
Same motor and inverter as DOMUS industrial washers DHS
Industrial and heavy duty doorlock



OTHERS

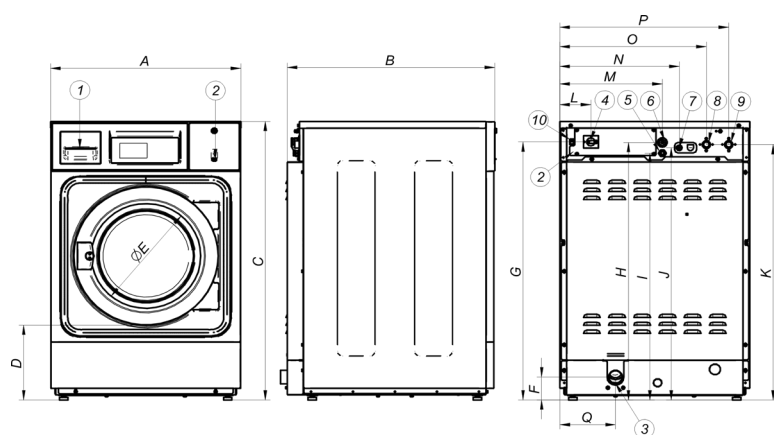
Free standing washers (leveling feet included)
Detergent dispenser with 4 compartments
Frequency inverter to control imbalances
CE and WRAS approved product.



OPTIONS

- **NEW** Dosing pump kit DQ-2
- Extra dosage pump DB-1. Extra individual pumps
- Double drain
- Drain-pump kit
- Silicon gasket
- Reversible door opening
- Tropicalized model: protected board
- Top soapbox for HPW
- Relay card with 6 extra dosing signals: up to 14 signals
- Normally closed drain valve
- Plinth for better ergonomics
- Plinth for mops, with filter (only valve models)
- Plinth for water recovery (tank included)
- Stainless steel AISI 304 outer casing
- Auto unlock kit for the door (in case of power failure)
- Order in complete container + compact packing
- Maritime voltage for electric models: 440V III 50/60 Hz
No neutral
- Coin/token kit

TECHNICAL DATA	UNIT.	HPW-8-V	HPW-8-P	HPW-10-V	HPW-10-P				
DRUM									
Load capacity 1:9 / 1:10	Kg	9/8	9/8	11/10	11/10				
Volume	l	80	80	100	100				
Diameter	mm	532	532	532	532				
Depth	mm	360	360	425	425				
GENERAL DETAILS									
Washing speed / Spinning speed	r.p.m.	50/ 1.250	50/ 1.250	50/ 1.250	50/ 1.250				
G Factor	-	450	450	450	450				
Maximum force transmitted	KN	1,47 ± 0,53	1,47 ± 0,53	1,57 ± 0,53	1,57 ± 0,53				
Frequency-dynamic force	Hz	18,33	18,33	18,33	18,33				
Coin laundry version	-	✓	✓	✓	✓				
Double drain	-	X	X	✓	X				
Noise level	dB	<70	<70	<70	<70				
Weighing / Tilting system	-	X / X	X / X	X / X	X / X				
DOOR									
Height center door / Height base door	mm	537/280	537/280	537/280	537/280				
Diameter	mm	373	373	373	373				
POWER									
Motor	kW	0,75	0,75	0,75	0,75				
Electric heating power	kW	6	6	6	6				
Total electric power (electric model)	kW	6,25	6,25	6,25	6,25				
Total electric power (hot water model)	kW	0,75	0,75	0,75	0,75				
CONEXIONES									
Tension 230V I+N+T 50/60Hz	Nº x mm2/A	2x6+T - 40A	2x1,5+T 16A	2x6+T - 40A	2x1,5+T 16A	2x6+T - 40A	2x1,5+T - 16A	2x6+T - 40A	2x1,5+T - 16A
Tension 230V III+T 50/60Hz	Nº x mm2/A	3x2,5+T - 20A	-	3x2,5+T - 20A	-	3x2,5+T - 20A	-	3x2,5+T - 20A	-
Tension 400V III+N+T 50/60Hz	Nº x mm2/A	4x1,5+T - 16A	-	4x1,5+T - 16A	-	4x1,5+T - 16A	-	4x1,5+T - 16A	-
Water inlet	BSP	3/4"	3/4"	3/4"	3/4"	3/4"	3/4"	3/4"	3/4"
Drain	BSP	2"		1" (Pump)		2"		1" (Pump)	
DIMENSIONS / PACKING DIMENSIONS									
Width / width	mm	680/710		680/710		680/710		680/710	
Depth / depth	mm	698/832		698/832		742/832		742/832	
Height / height	mm	1.040/1.130		1.040/1.130		1.040/1.130		1.040/1.130	
Net weight / Gross weight	kg	140/150		140/150		150/160		150/160	
Volume	m3	0,67		0,67		0,67		0,67	



1. SOAP DISPENSER
2. USB PORT
3. DRAIN
4. MAIN SWITCH
5. ELECTRIC CONNECTION TO LIQUID SOAP PUMPS
6. ELECTRICAL CONNECTION
7. LIQUID SOAP CONNECTION
8. COLD WATER INLET
9. HOT WATER INLET
10. ETHERNET PORT

	A	B	C	D	E	F	G	H	I	J	K	L	M	N	O	P	Q
HPW-8 V	680	698	1040	278	373	86	964	962	922	942	954	110	366	427	524	603	199
HPW-8 P	680	698	1040	278	373	86	964	962	922	942	954	110	366	427	524	603	199
HPW-10 V	680	742	1040	278	373	86	964	962	922	942	954	110	366	427	524	603	199
HPW-10 P	680	742	1040	278	373	86	964	962	922	942	954	110	366	427	524	603	199